

---

*Comfort-Care*®

**Century**®

---

## **REMOTE CONTROL MANUAL**

# **Air-Handler Air Conditioners**

**Model**

**B-VMH18, 24AV-1 Series**

**IMPORTANT NOTE:**

Thank you for purchasing our air conditioner.  
Please read this manual carefully before  
operating your new air conditioning unit.  
Make sure to save this manual for future reference.

# Table of Contents

**Remote Controller Specifications .....03**

**Handling the Remote Controller .....04**

**Buttons and Functions .....05**

**Remote Screen Indicators .....09**

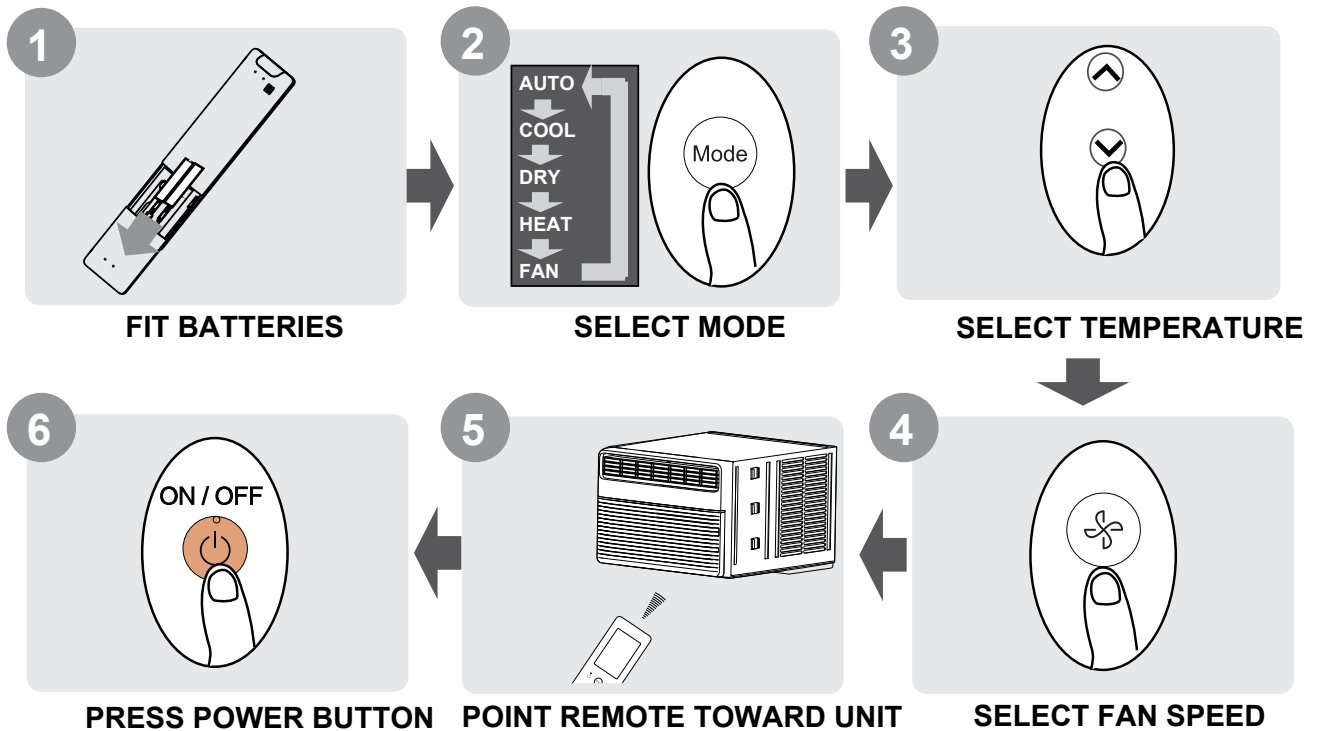
**How to Use Basic Functions .....10**

**How to Use Advanced Functions .....13**

## Remote Controller Specifications

Model	RG10G(D2)/BGEFU1, RG10G1(D2)/BGEFU1, RG10G2(D2)/BGEFU1, RG10G3(D2)/BGEFU1, RG10F(D2)/BGEF, RG10F1(D2)/BGEF, RG10F2(D2)/BGEFU1, RG10F3(D2)/BGEFU1
Rated Voltage	3.0V( Dry batteries R03/LR03×2)
Signal Receiving Range	8m
Environment	-5°C~60°C(23°F~140°F)

### Quick Start Guide



#### NOT SURE WHAT A FUNCTION DOES?

Refer to the **How to Use Basic Functions** and **How to Use Advanced Functions** sections of this manual for a detailed description of how to use your air conditioner.

#### SPECIAL NOTE

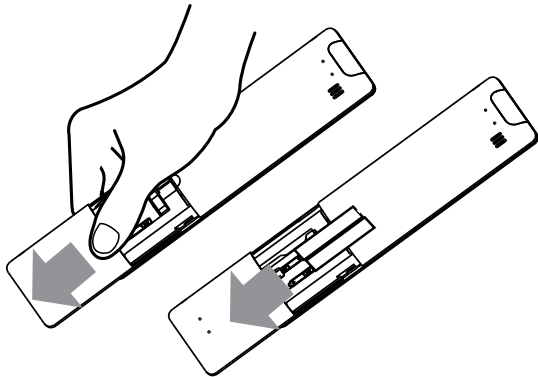
- Button designs on your unit may differ slightly from the example shown.
- If the indoor unit does not have a particular function, pressing that function's button on the remote control will have no effect.
- When there are wide differences between "Remote controller Manual" and "USER'S MANUAL" on function description, the description of "USER'S MANUAL" shall prevail.

## Handling the Remote Controller

### Inserting and Replacing Batteries

Your air conditioning unit may come with two batteries (some units). Put the batteries in the remote control before use.

1. Slide the back cover from the remote control downward, exposing the battery compartment.
2. Insert the batteries, paying attention to match up the (+) and (-) ends of the batteries with the symbols inside the battery compartment.
3. Slide the battery cover back into place.



### ! BATTERY NOTES

For optimum product performance:

- Do not mix old and new batteries, or batteries of different types.
- Do not leave batteries in the remote control if you don't plan on using the device for more than 2 months.



### BATTERY DISPOSAL

Do not dispose of batteries as unsorted municipal waste. Refer to local laws for proper disposal of batteries.

### TIPS FOR USING REMOTE CONTROL

- The remote control must be used within 8 meters of the unit.
- The unit will beep when remote signal is received.
- Curtains, other materials and direct sunlight can interfere with the infrared signal receiver.
- Remove batteries if the remote will not be used more than 2 months.

### NOTES FOR USING REMOTE CONTROL

The device could comply with the local national regulations.

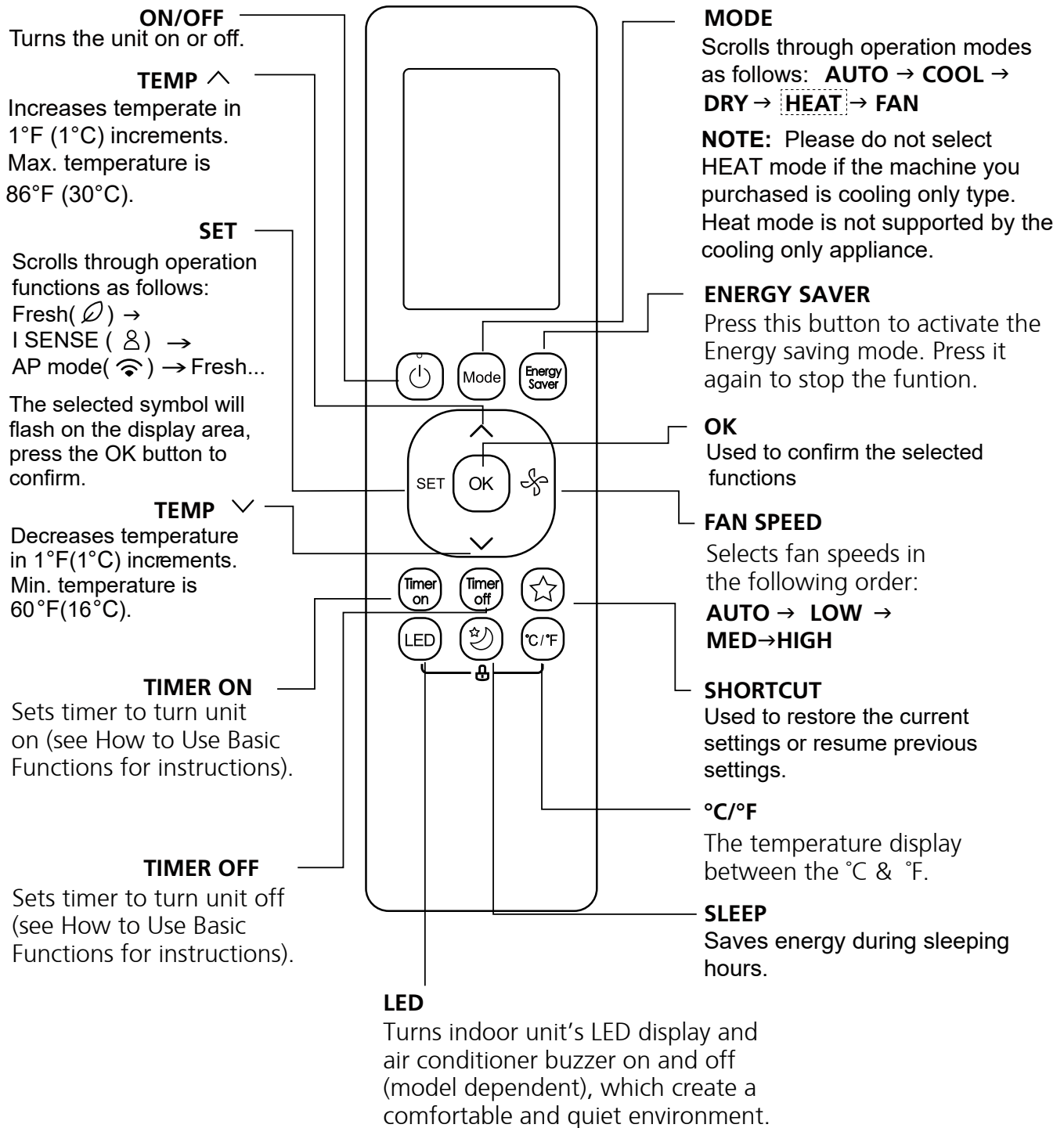
- In Canada, it should comply with CAN ICES-3(B)/NMB-3(B).
- In USA, this device complies with part 15 of the FCC Rules. Operation is subject to the following two conditions:
  - (1) This device may not cause harmful interference, and
  - (2) this device must accept any interference received, including interference that may cause undesired operation.

This equipment has been tested and found to comply with the limits for a Class B digital device, pursuant to part 15 of the FCC Rules. These limits are designed to provide reasonable protection against harmful interference in a residential installation. This equipment generates, uses and can radiate radio frequency energy and, if not installed and used in accordance with the instructions, may cause harmful interference to radio communications. However, there is no guarantee that interference will not occur in a particular installation. If this equipment does cause harmful interference to radio or television reception, which can be determined by turning the equipment off and on, the user is encouraged to try to correct the interference by one or more of the following measures:

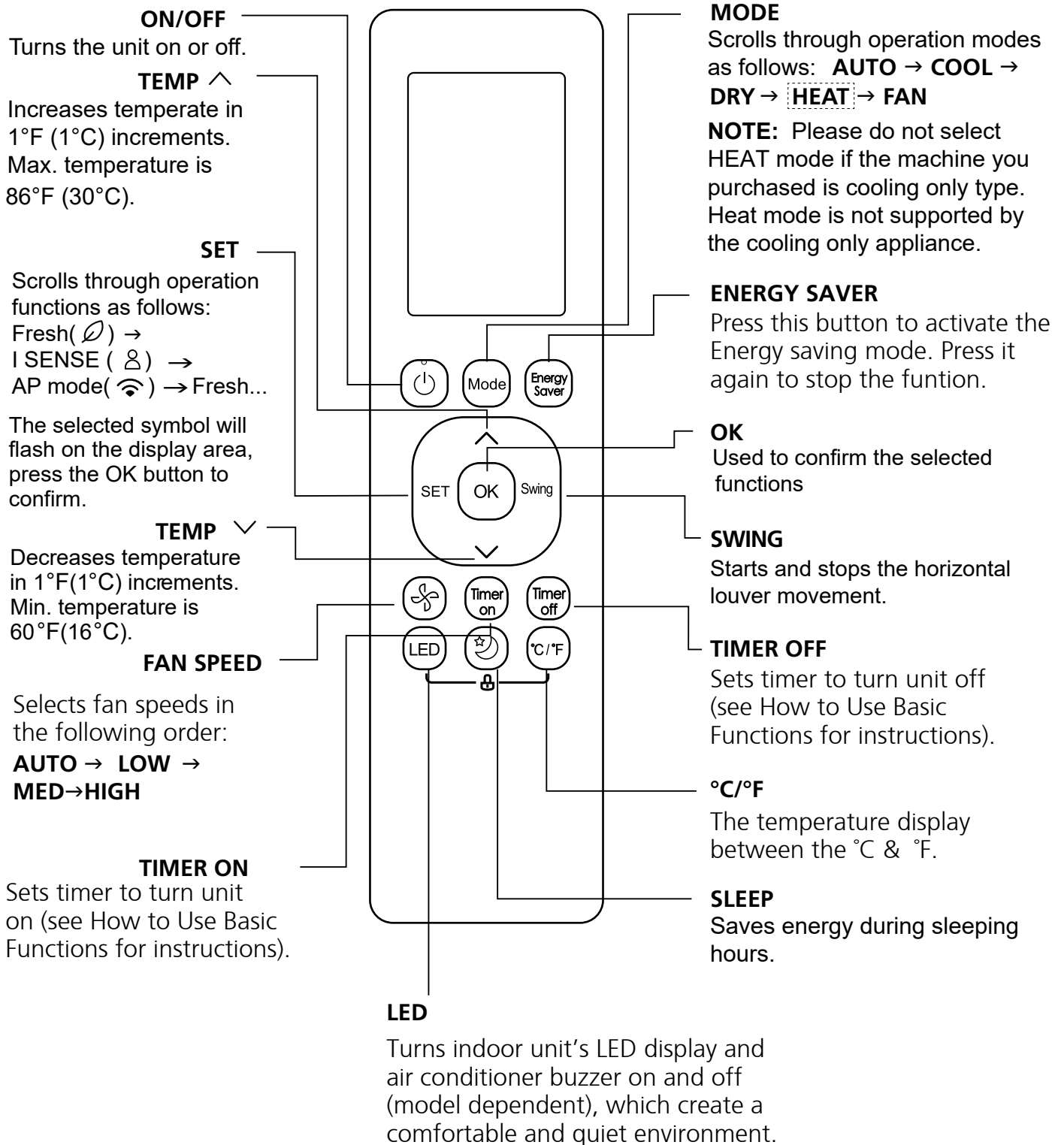
- Reorient or relocate the receiving antenna.
- Increase the separation between the equipment and receiver.
- Connect the equipment into an outlet on a circuit different from that to which the receiver is connected.
- Consult the dealer or an experienced radio/TV technician for help.
- Changes or modifications not approved by the party responsible for compliance could void user's authority to operate the equipment.

# Buttons and Functions

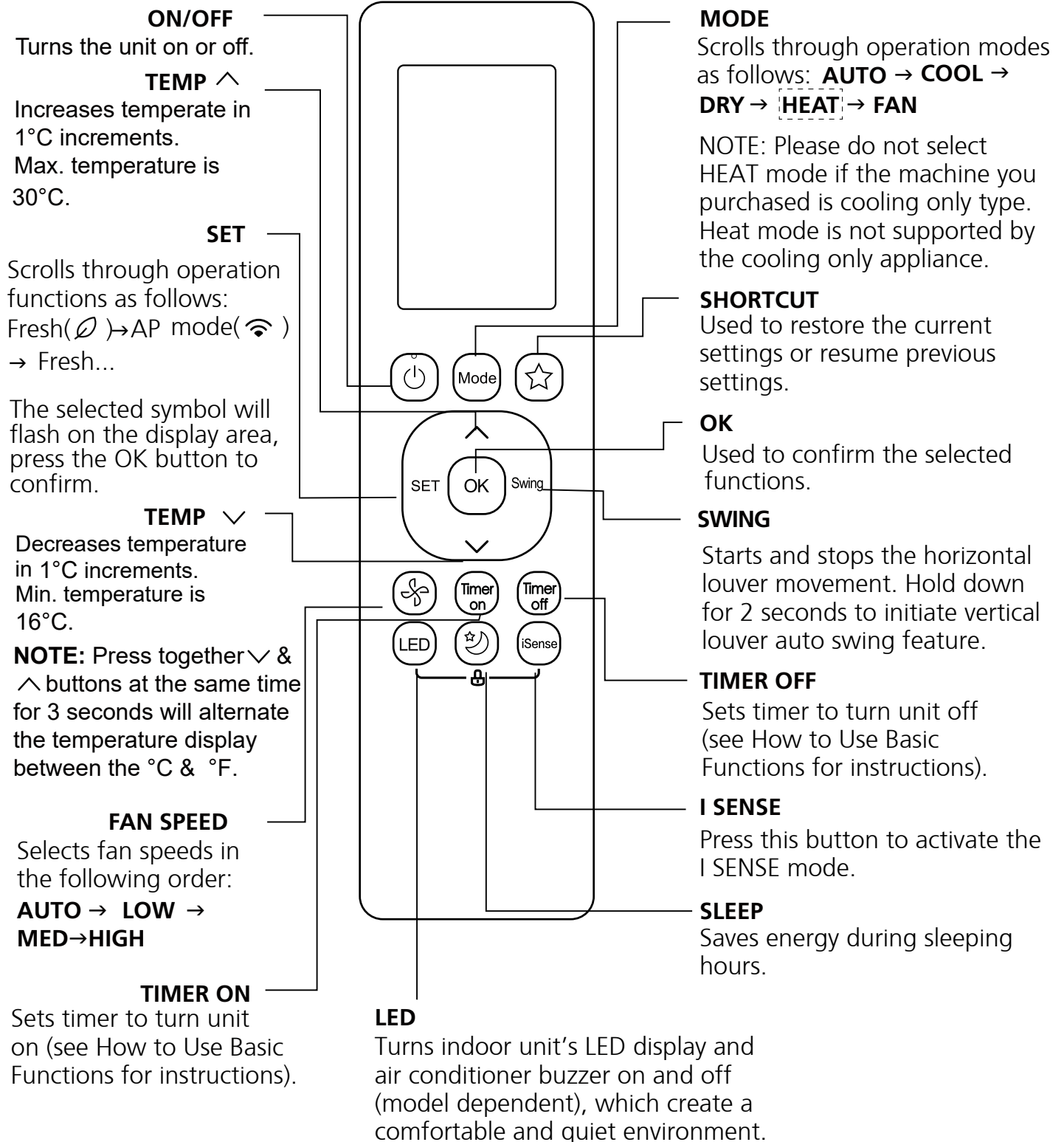
Before you begin using your new air conditioner, make sure to familiarize yourself with its remote control. The following is a brief introduction to the remote control itself. For instructions on how to operate your air conditioner, refer to the **How to Use Basic Functions** section of this manual.



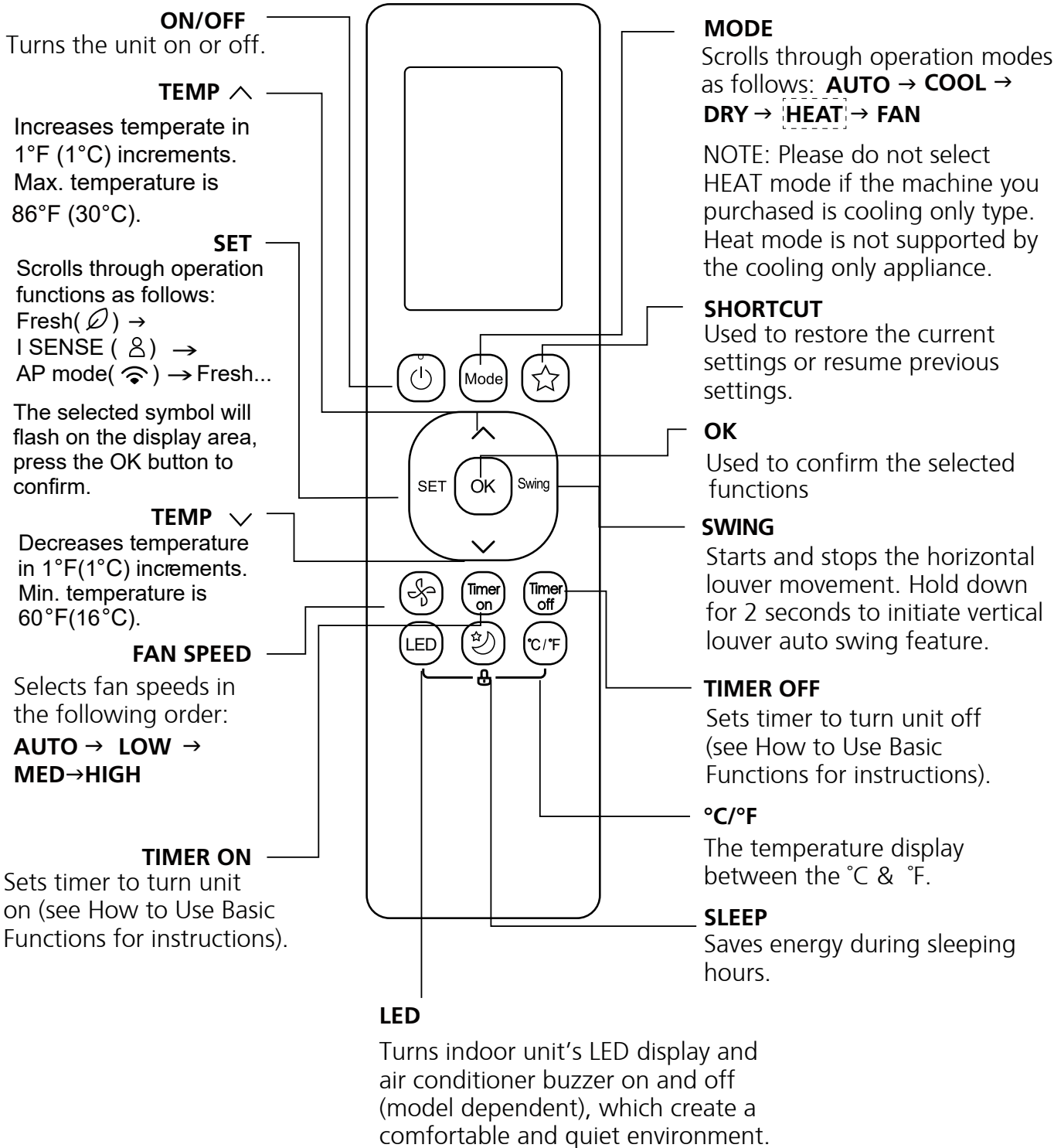
**Model:** RG10G(D2)/BGEFU1( Fresh feature is not available)  
RG10G1(D2)/BGEFU1



**Model:** RG10G2(D2)/BGEFU1 (Fresh feature is not available)  
RG10G3(D2)/BGEFU1



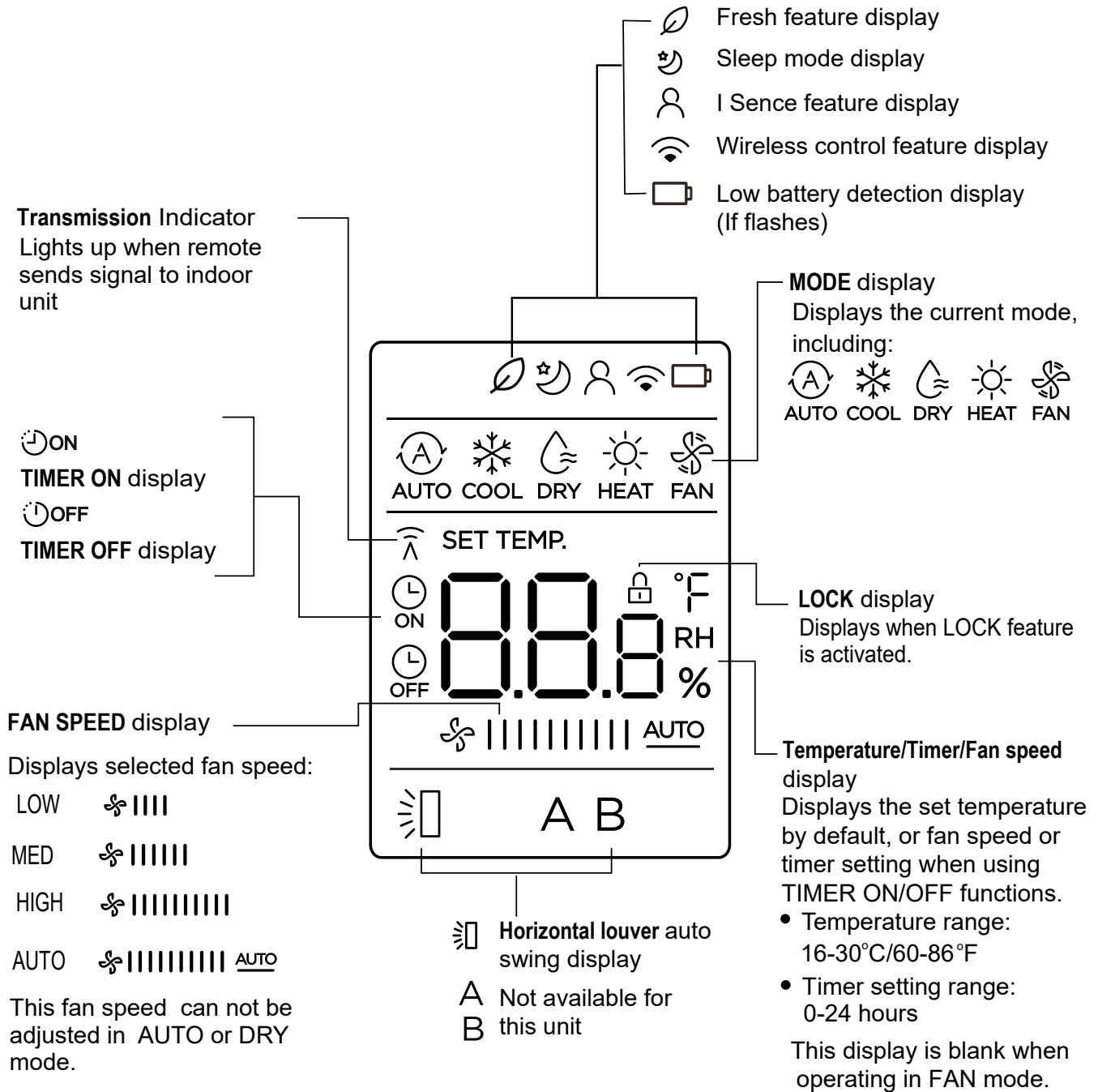
**Model:** RG10F(D2)/BGEF( Fresh feature is not available)  
RG10F1(D2)/BGEF



**Model:** RG10F2(D2)/BGEFU1( Fresh feature is not available)  
RG10F3(D2)/BGEFU1

## Remote Screen Indicators

Information are displayed when the remote controller is power up.



**Note:**

All indicators shown in the figure are for the purpose of clear presentation. But during the actual operation, only the relative function signs are shown on the display window.

# How to Use Basic Functions

## Basic operation

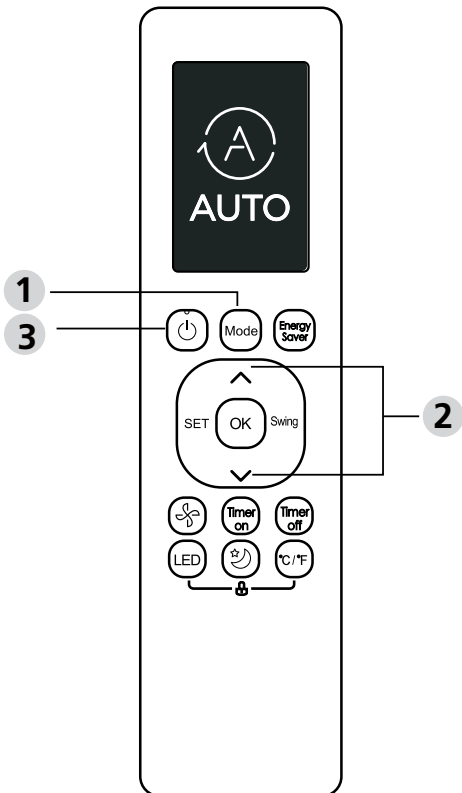
**ATTENTION!** Before operation, please ensure the unit is plugged in and power is available.

### SETTING TEMPERATURE

The operating temperature range for units is 60-86°F (16-30°C).

You can increase or decrease the set temperature in 1°F (1°C) increments.

## AUTO Mode

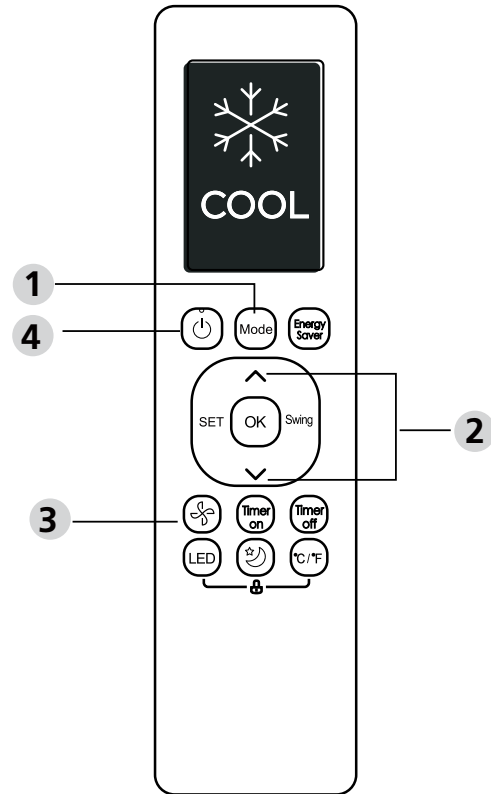


In AUTO mode, the unit will automatically select the COOL, FAN, or HEAT function based on the set temperature.

1. Press the **MODE** button to select **AUTO**.
2. Set your desired temperature using the **TEMP** ^ or **TEMP** v button.
3. Press the **ON/OFF** button to start the unit.

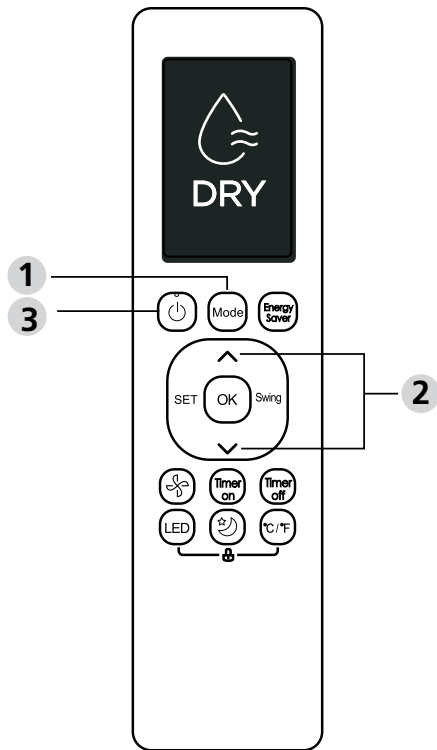
**NOTE:** FAN SPEED can't be set in AUTO mode.

## COOL Mode



1. Press the **MODE** button to select **COOL** mode.
2. Set your desired temperature using the **TEMP** ^ or **TEMP** v button.
3. Press **FAN** button to select the fan speed: **AUTO**, **LOW**, **MED**, **HIGH** .
4. Press the **ON/OFF** button to start the unit.

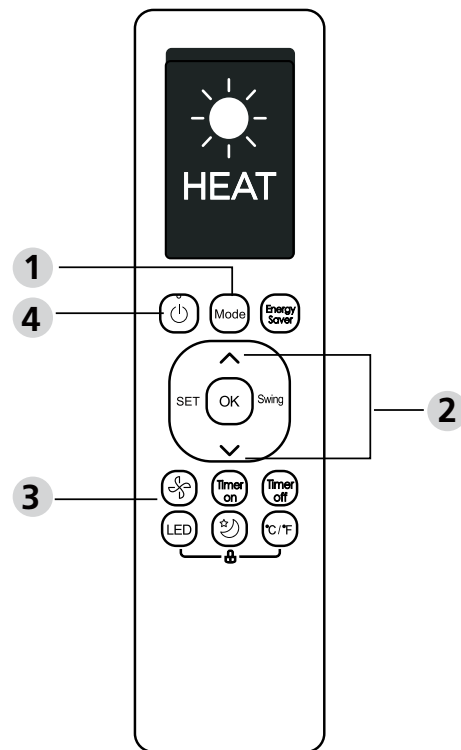
### DRY Mode (dehumidifying)



1. Press the **MODE** button to select **DRY**.
2. Set your desired temperature using the **TEMP**  $\wedge$  or **TEMP**  $\vee$  button.
3. Press the **ON/OFF** button to start the unit.

**NOTE:** FAN SPEED cannot be changed in DRY mode.

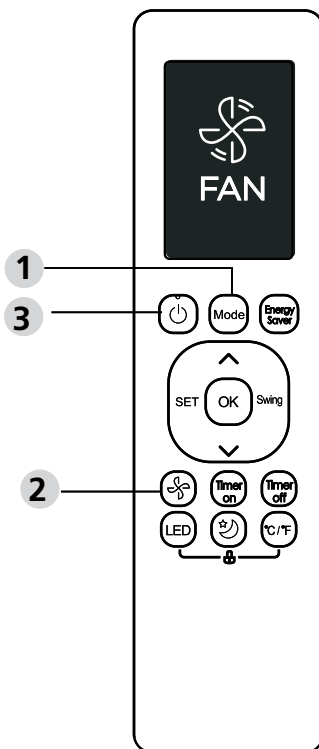
### HEAT Mode



1. Press the **MODE** button to select **HEAT** mode.
2. Set your desired temperature using the **TEMP**  $\wedge$  or **TEMP**  $\vee$  button.
3. Press **FAN** button to select the fan speed: AUTO, LOW, MED, HIGH.
4. Press the **ON/OFF** button to start the unit.

**NOTE:** As outdoor temperature drops, the performance of your unit's HEAT function may be affected. In such instances, we recommend using this air conditioner in conjunction with other heating appliances.

### FAN Mode



1. Press the **MODE** button to select **FAN** mode.
2. Press **FAN** button to select the fan speed: AUTO, LOW, MED, HIGH .
3. Press the **ON/OFF** button to start the unit.

**NOTE:** You can't set temperature in FAN mode. As a result, your remote control's LCD screen will not display temperature.

## Setting the TIMER

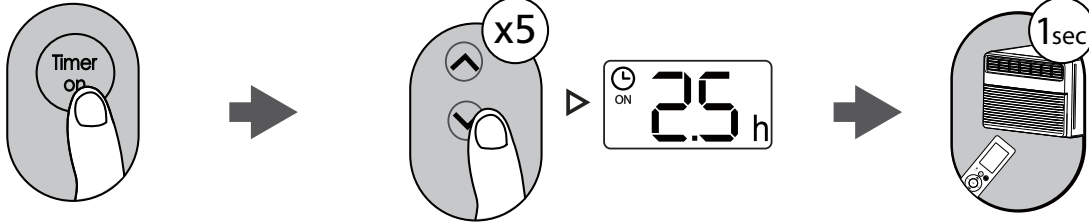
**TIMER ON/OFF - Set the amount of time after which the unit will automatically turn on/off.**

### TIMER ON setting

Press TIMER ON button to initiate the ON time sequence.

Press up or down button for multiple times to set the desired time to turn on the unit.

Point remote to unit and wait 1sec, the TIMER ON will be activated.

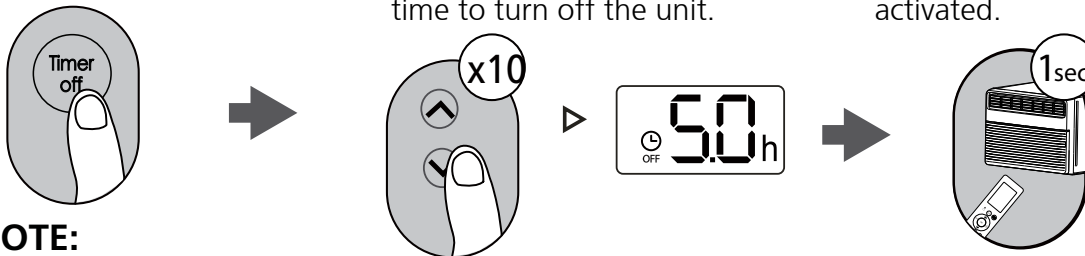


### TIMER OFF setting

Press TIMER OFF button to initiate the OFF time sequence.

Press Temp. up or down button for multiple times to set the desired time to turn off the unit.

Point remote to unit and wait 1sec, the TIMER OFF will be activated.

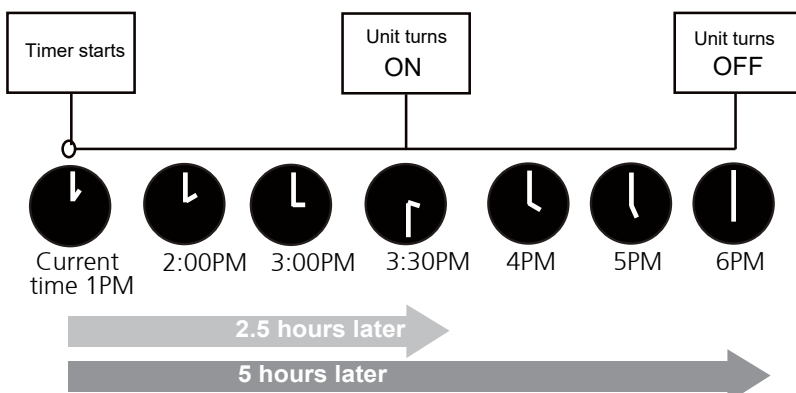
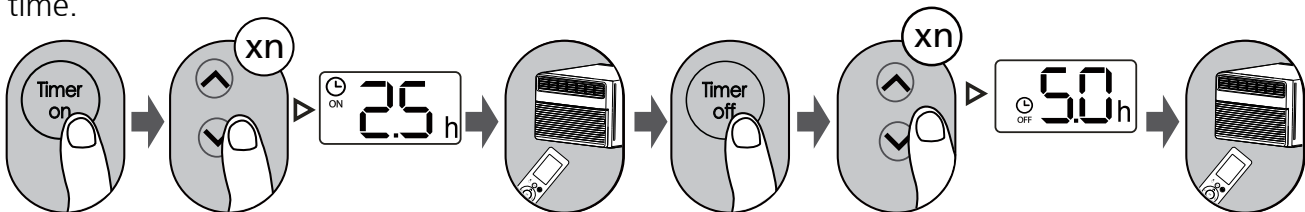


**NOTE:**

1. When setting the TIMER ON or TIMER OFF, the time will increase by 30 minutes increments with each press, up to 10 hours. After 10 hours and up to 24, it will increase in 1 hour increments. (For example, press 5 times to get 2.5h, and press 10 times to get 5h,) The timer will revert to 0.0 after 24.
2. Cancel either function by setting its timer to 0.0h.

### TIMER ON & OFF setting(example)

Keep in mind that the time periods you set for both functions refer to hours after the current time.

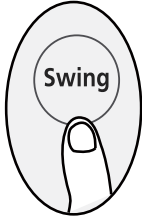


Example: If current timer is 1:00PM, to set the timer as above steps, the unit will turn on 2.5h later (3:30PM) and turn off at 6:00PM.

## How to Use Advanced Functions

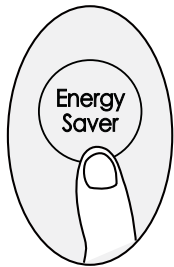
### Swing function

Press Swing button



The horizontal louver will swing up and down automatically when pressing Swing button. Press again to make it stop.

### ENERGY SAVER function(some models)



Press Energy saver button to turn on this function.  
This function is available on COOL, DRY, AUTO modes.

### SHORTCUT function (some models)

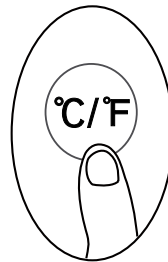
Press SHORTCUT button



Push this button when remote controller is on, the system will automatically revert back to the previous settings including operating mode, setting temperature, fan speed level and sleep feature (if activated).

If pushing more than 2 seconds, the system will automatically restore the current operation settings including operating mode, setting temperature, fan speed level and sleep feature (if activated).

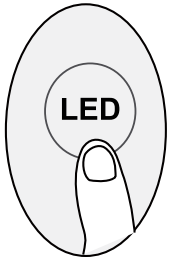
### °C/°F (some models)



Press this button will alternate the temperature display between the °C & °F.

**LED DISPLAY**

Press LED button



Press this button to turn on and turn off the display on the indoor unit.

**SLEEP Function**

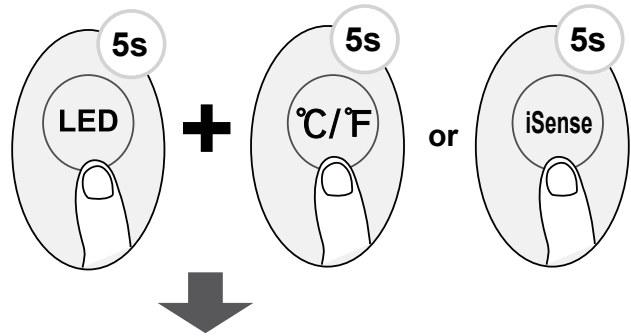
Press SLEEP button



The SLEEP function is used to decrease energy while you sleep (and don't need the same temperature settings to stay comfortable). This function can only be activated via remote control.

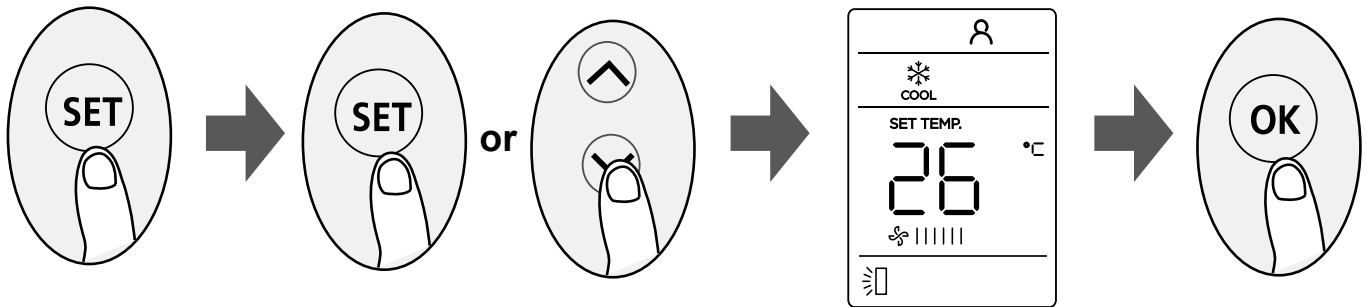
For the details, please see "sleep operation" in "USER'S MANUAL".

**Note:** The SLEEP function is not available in FAN or DRY mode.

**LOCK function**

Press together **LED** button and **°C/°F** button (**iSense** button on some models) at the same time more than 5 seconds to activate Lock function. All buttons will not response except pressing these two buttons for two seconds again to disable locking.

## SET function



- Press the SET button to enter the function setting, then press SET button or TEMP▼ or TEMP▲ button to select the desired function. The selected symbol will flash on the display area, press the OK button to confirm.
- To cancel the selected function, just perform the same procedures as above.
- Press the SET button to scroll through operation functions as follows:  
Fresh (🍃) → I SENSE\* (👤) → AP mode(📶)  
[\*]: If your remote controller has I SENSE button, you can not use the SET button to select I SENSE feature.

### FRESH function (🍃) (some units) :

When the FRESH function is initiated, the Ionizer/Plasma Dust Collector(depending on models) is energized and will help to remove pollen and impurities from the air

### I SENSE function (👤) :

The I SENSE function enables the remote control to measure the temperature at its current location and send this signal to the air conditioner every 3 minutes interval. When using AUTO, COOL or HEAT modes, measuring ambient temperature from the remote control(instead of from the indoor unit itself) will enable the air conditioner to optimize the temperature around you and ensure maximum comfort.

### AP function (📶) (some units) :

Choose AP mode to do wireless network configuration. For some units, it doesn't work by pressing the SET button. To enter the AP mode, continuously press the LED button seven times in 10 seconds.

---

Due to ongoing product improvements, specifications and dimensions are subject to change and correction without notice or incurring obligations. Determining the application and suitability for use of any product is the responsibility of the installer. Additionally, the installer is responsible for verifying dimensional data on the actual product prior to beginning any installation preparations.

Incentive and rebate programs have precise requirements as to product performance and certification. All products meet applicable regulations in effect on date of manufacture; however, certifications are not necessarily granted for the life of a product. Therefore, it is the responsibility of the applicant to determine whether a specific model qualifies for these incentive/rebate programs.

*Comfort-Aire*®  **Century**®